

BH-400 Series PV DC Isolation Switch



UL98B

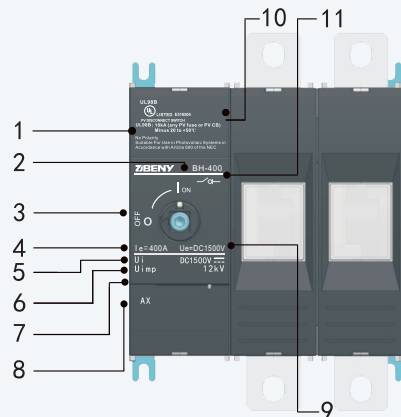
- 1 Brand
- 2 Model
- 3 On Off
- 4 Rated Current
- 5 Nominal Insulation Voltage
- 6 Rated Withstand Voltage
- 7 Utilization Category
- 8 Auxiliary Contact
- 9 Rated Voltage
- 10 Certificate Mark
- 11 Electrical Symbol

Application

ZBENY BH-400 DC disconnect switch is designed and developed for solar PV inverter, combiner box or any DC equipments build-in according to UL98B . The DC load break switches provide safety isolation for one DC circuit up to 1500VDC 400A.

High capacity 10KA for 50ms test and patented DC arc extinguishing chamber ensure fast disconnection and reliable operation for longer working life.

Appearance Introduction




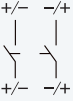
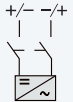
Type Instruction

BH	-	400	-	2P	-	400A	-	A	-	AX
↓		↓		↓		↓		↓		↓
Model		Max Current		Pole		Rated Current		Assembling way		Auxiliary contact
PV DC Isolation Switch		400A		2P		<input type="checkbox"/> 320A <input type="checkbox"/> 400A		<input type="checkbox"/> Blank <input type="checkbox"/> A <input type="checkbox"/> B <input type="checkbox"/> A1		<input type="checkbox"/> without <input type="checkbox"/> with

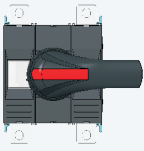
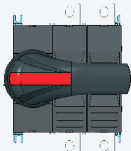
Parameter

Electrical Characteristics		
Rated Working Voltage	Ue	1000V / 1500V
Rated Current	Ie	320A / 400A
Rated impulse withstand voltage	Uimp	12kV
Rated short-time withstand current	Icw	10kA/50ms
Rated short-circuit making capacity	Icm	10kA/50ms
Rated conditional short-circuit current(kA)		10kA
Installation Environment		
Number of cycles of operation(With current)		400
Number of cycles of operation(Without current)		5000
Pole		2
Mounting		Base Screws Mounting
Screws for mounting(M5)		2.0N·m ~ 3.0N·m
Wiring Screw(M10)		15N·m ~ 20N·m
Ambient temperature allowed between		-40°C ~ +85°C
Storage temperature allowed between		-40°C ~ +85°C
Relative Humidity		90%
Pollution degree		3
IP rating terminals		IP20
Outside the ark handle		IP65

Wiring Graph

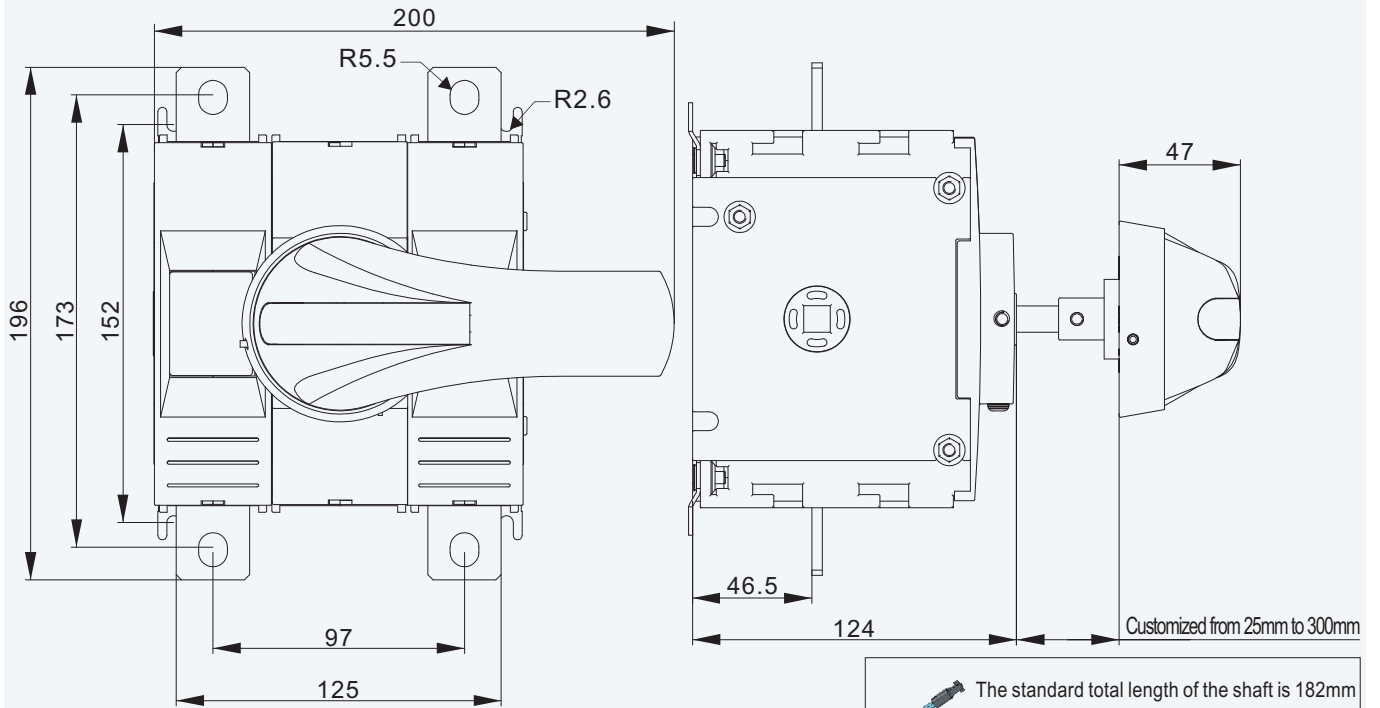
Model	Wiring Graph	Ue rated operational voltage DC Volts	Rated operational current	Poles in series	Number of Strings
BH-400-2P 		1000V/1500V	320A/400A	1	1
	Example				
					


Product Selection

Model	Front Operation			The side operation
	BH-400-2P	BH-400-2P-A	BH-400-2P-B	BH-400-2P-A1
BH-400-2P				

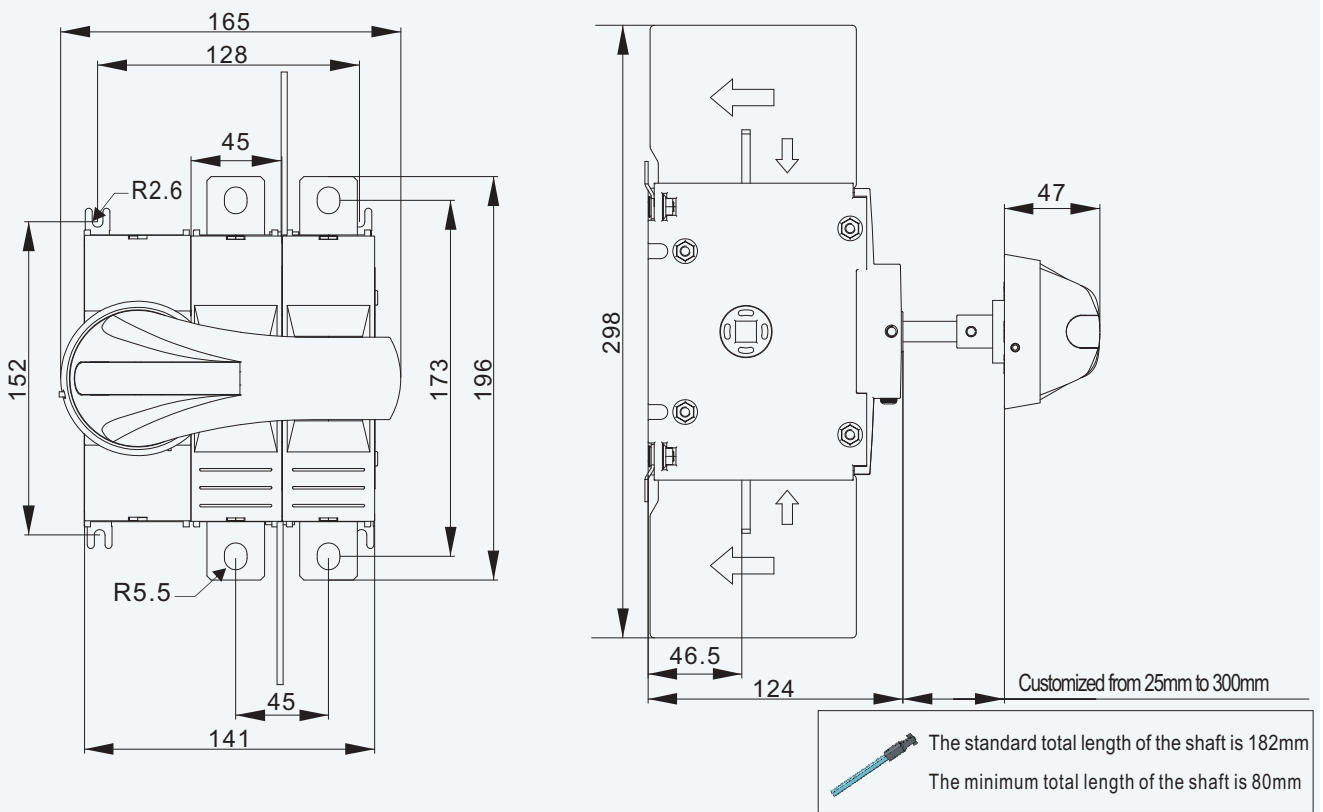
Dimensions(mm)


BH-400-2P



 The standard total length of the shaft is 182mm
The minimum total length of the shaft is 80mm

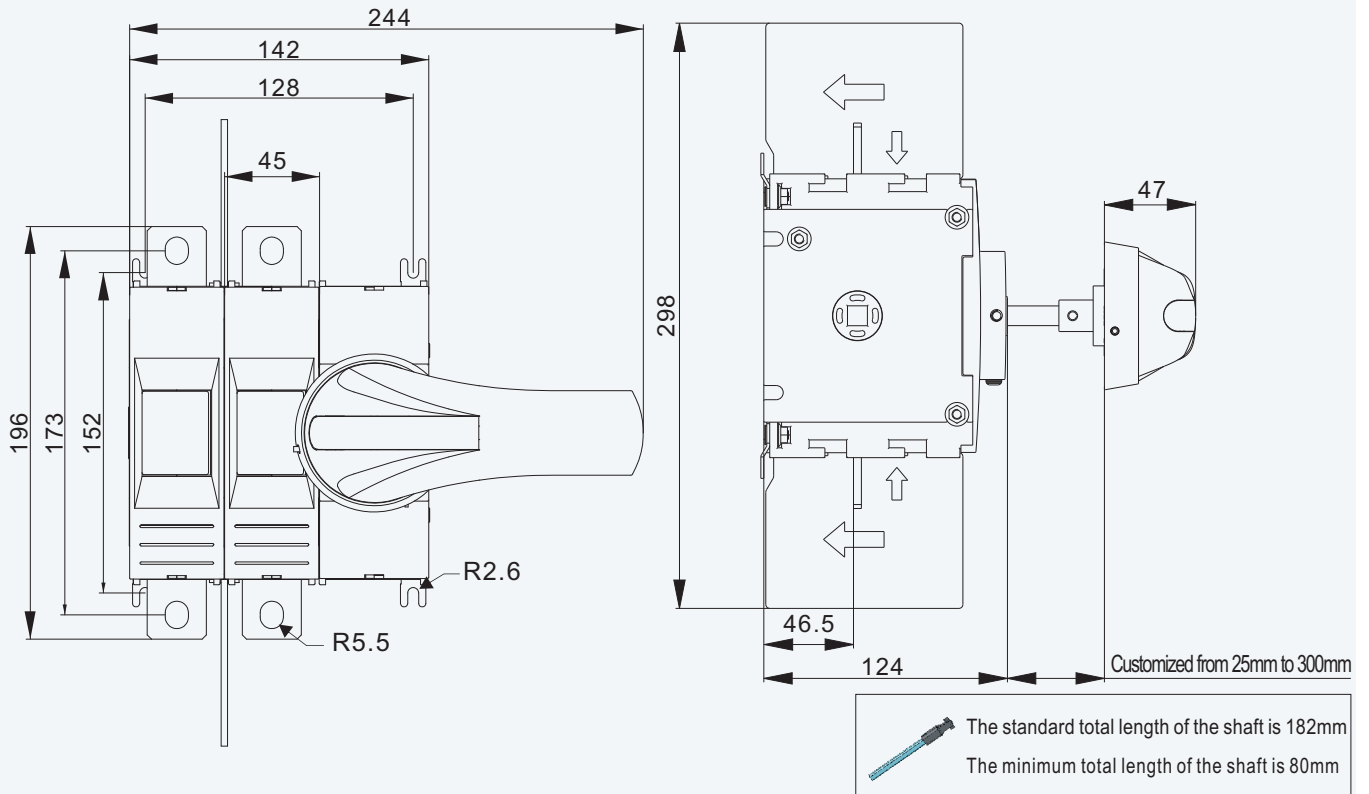
BH-400-2P-A



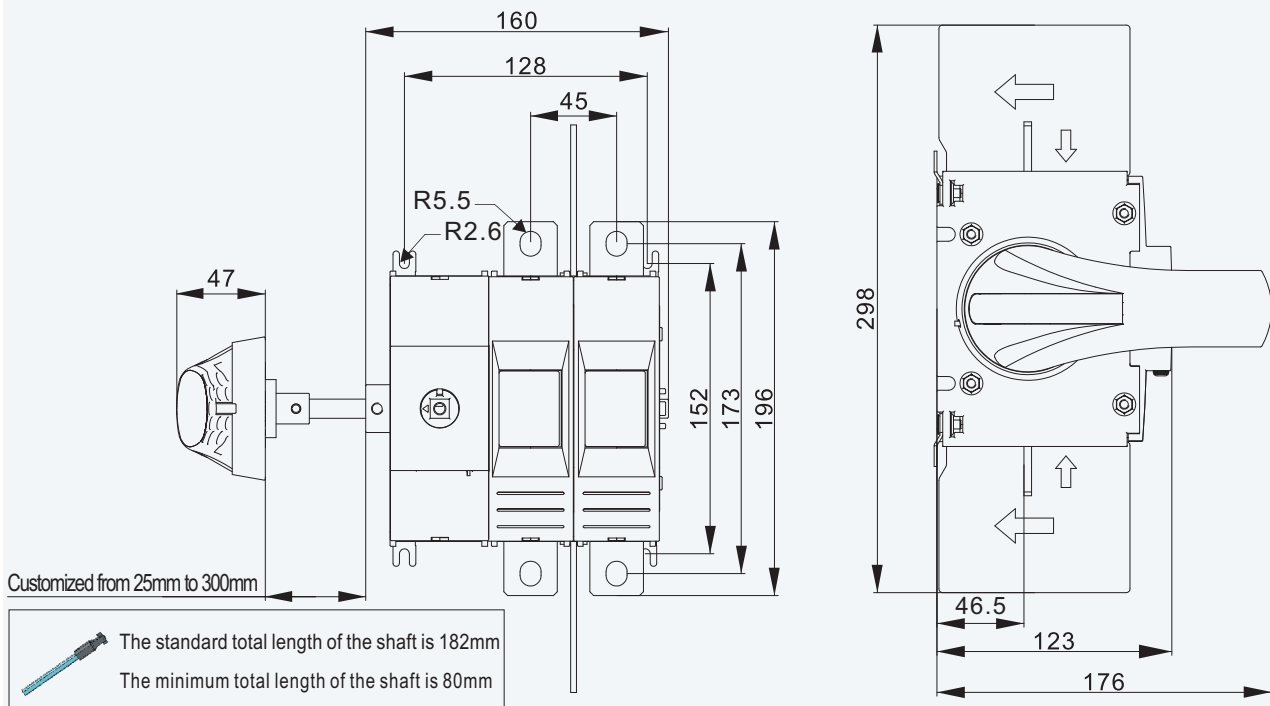
 The standard total length of the shaft is 182mm
The minimum total length of the shaft is 80mm

Dimensions(mm)

BH-400-2P-B

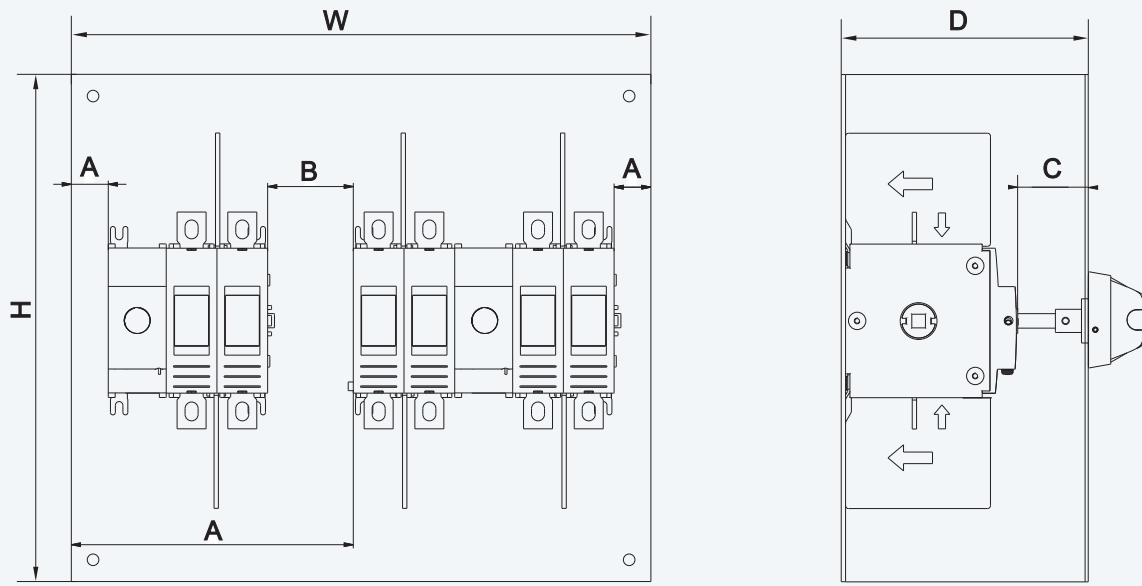


BH-400-2P-A1



Dimensions(mm)

Minimum enclosure dimensions UL98
 Dimensions minimum des coffrets UL98B
 Dimensiones minimas de las cajas UL98B

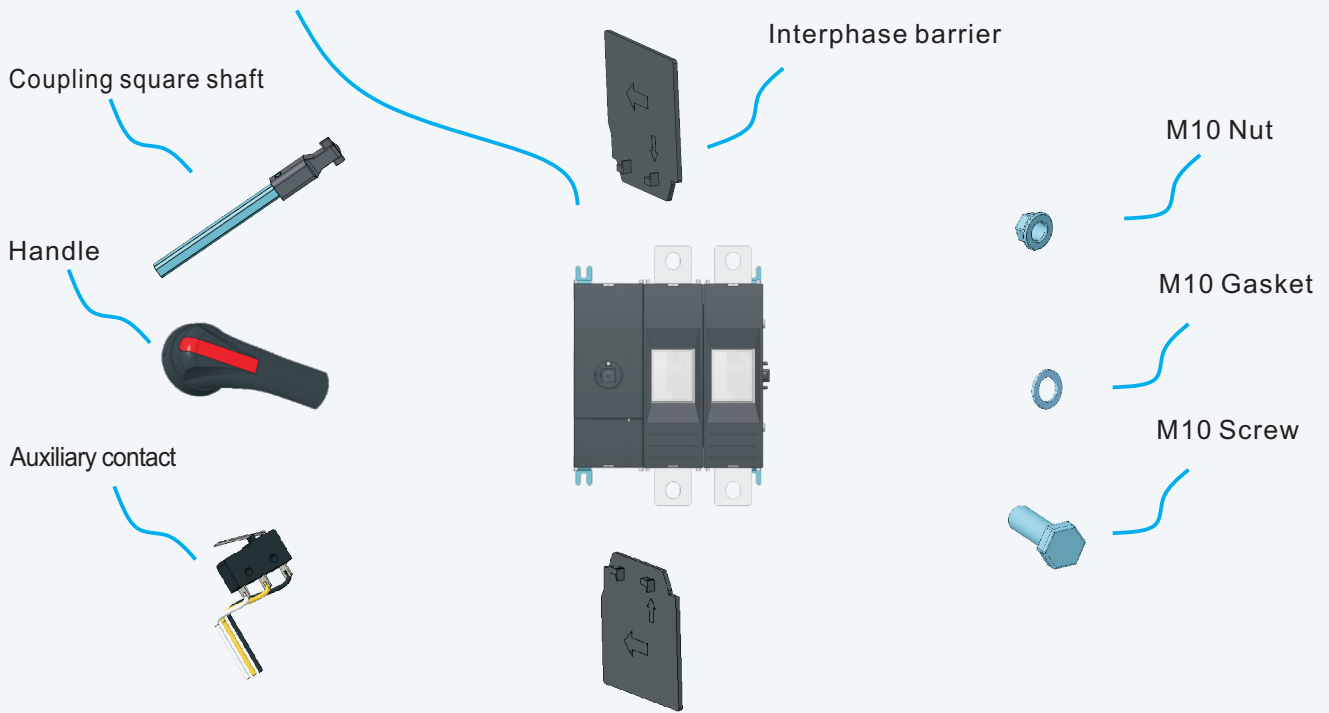


Minimum enclosure size	Size
H × W × D	400mm×350mm×180mm

Clearance	Size
A min.	25.4mm
B min.	50.8mm
C min.	22mm

Switches and accessories

Front and side operable products



Accessory

Name	The attachment list
standard configuration	<input checked="" type="checkbox"/> Handle
	<input checked="" type="checkbox"/> Coupling square shaft (The standard length is 182mm)
	<input checked="" type="checkbox"/> Interphase barrier
	<input checked="" type="checkbox"/> M10 Binding kits
	<input checked="" type="checkbox"/> Specification
apolegamy	<input type="checkbox"/> Auxiliary contact
	<input type="checkbox"/> Coupling square shaft Custom length _____ mm

Derating data

Derating Temperature

Type	Tem Current	-40°C ~ +60°C	+65°C	+70°C	+75°C	+80°C	+85°C
BH-400		400A	395A	390A	385A	380A	375A

Derating Altitude

Altitude	2000m	3000m	4000m	5000m
Power frequency withstand voltage	3820VDC	3820VDC	3820VDC	3820VDC
Isolation voltage	1500VDC	1500VDC	1500VDC	1500VDC
Working current	400A	400A	380A	370A
Working voltage	N/A			

Installation and use

The connecting conductor shall be copper conductor or equivalent copper row. The sectional area shall be selected according to the table

Rated current (A)	320A	400A
The area of a wire or copper conductor mm ²	185mm ²	240mm ²

ZHEJIANG BENYI ELECTRICAL CO.,LTD.

Address: Wenzhou Bridge Industrial Zone,
Beibaixiang Town, Zhejiang, China

TEL: +86-577-5717 7008

FAX: +86-577-5717 7007

E-mail: benyi@zjbeny.com

http://www.beny.com

This catalogue has been printed on ecological paper.

Zhejiang Benyi Electrical Co.,Ltd.all rights reserved.

If the models and specification in this product catalogue is changed due to the change of products, we will not inform.

