

BH-400 Series PV DC Isolation Switch



AS 60947.3
IEC/EN 60947-3
GB/T 14048.3

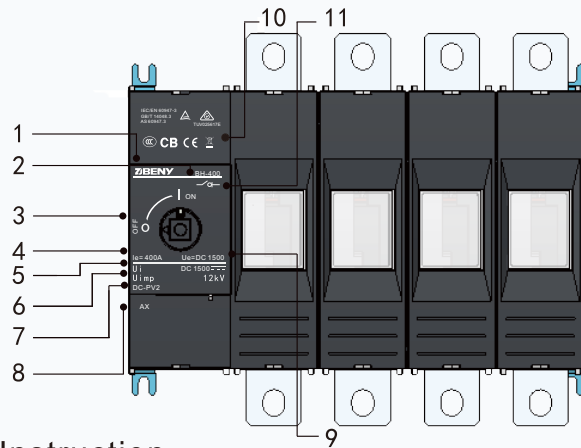
- 1 Brand
- 2 Model
- 3 On Off
- 4 Rated Current
- 5 Nominal Insulation Voltage
- 6 Rated Withstand Voltage
- 7 Utilization Category
- 8 Auxiliary Contact
- 9 Rated Voltage
- 10 Certificate Mark
- 11 Electrical Symbol

Application

ZIBENY BH-400 DC disconnect switch is designed and developed for solar PV inverter, combiner box or any DC equipments build-in according to IEC60947-3. The DC load break switches provide safety isolation for one DC circuit up to 1500VDC 400A.

High capacity 10KA for 50ms test and patented DC arc extinguishing chamber ensure fast disconnection and reliable operation for longer working life.

Appearance Introduction



Type Instruction

BH	-	400	-	4P	-	400A	-	A	-	AX
↓		↓		↓		↓		↓		↓
Model		Max Current		Pole		Rated Current		Assembling way		Auxiliary contact
PV DC Isolation Switch		400A		4P		<input type="checkbox"/> 320A <input type="checkbox"/> 400A		<input type="checkbox"/> Blank <input type="checkbox"/> A <input type="checkbox"/> B <input type="checkbox"/> A1		<input type="checkbox"/> without <input type="checkbox"/> with

Parameter

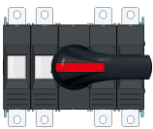
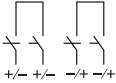
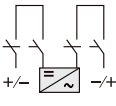
Electrical Characteristics

Rated Working Voltage	U _e	1000V/1500V
Rated Current	I _e	320A/400A
Rated impulse withstand voltage	U _{imp}	12kV
Rated short-time withstand current (1s)	I _{cw}	10kA
Rated short-circuit making capacity	I _{cm}	10kA
Rated conditional short-circuit current(kA)		10kA

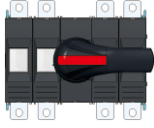
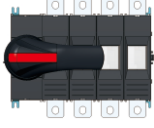
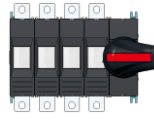
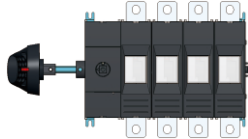
Installation Environment

Utilization category DC		DC-PV2
Number of cycles of operation(With current)		200
Number of cycles of operation(Without current)		5000
Pole		4
Mounting		Base Screws Mounting
Screws for mounting(M5)		2.0N·m~3.0N·m
Wiring Screw(M10)		acc.IEC 60947-1 15N·m~20N·m
Ambient temperature allowed between		-40°C ~ +80°C
Storage temperature allowed between		-40°C ~ +85°C
Relative Humidity		90%
Pollution degree		3
IP rating terminals		IP20
Outside the ark handle		IP66

Wiring Graph

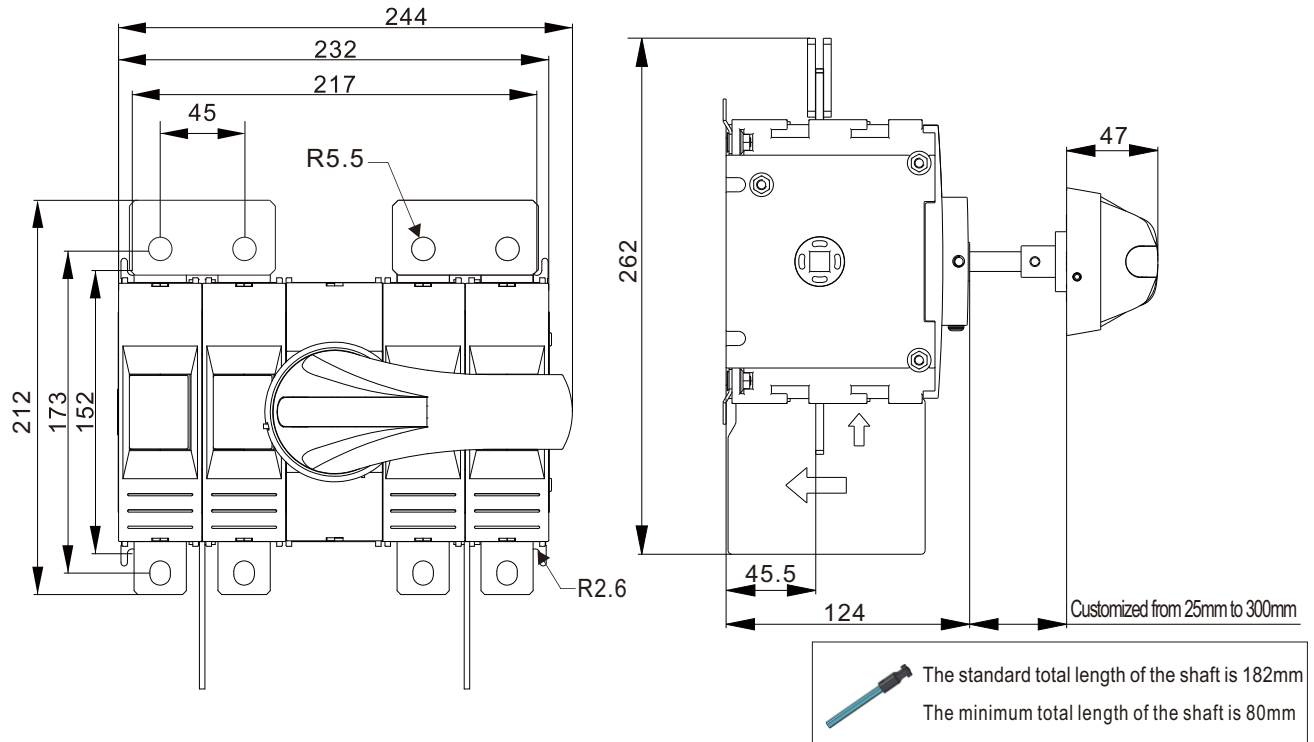
Model	Wiring Graph	Ue rated operational voltage DC Volts	Rated operational current	Poles in series	Number of Strings
BH-400-4P 		1000V/1500V	320A/400A	2	1
	Example 				

Product Selection

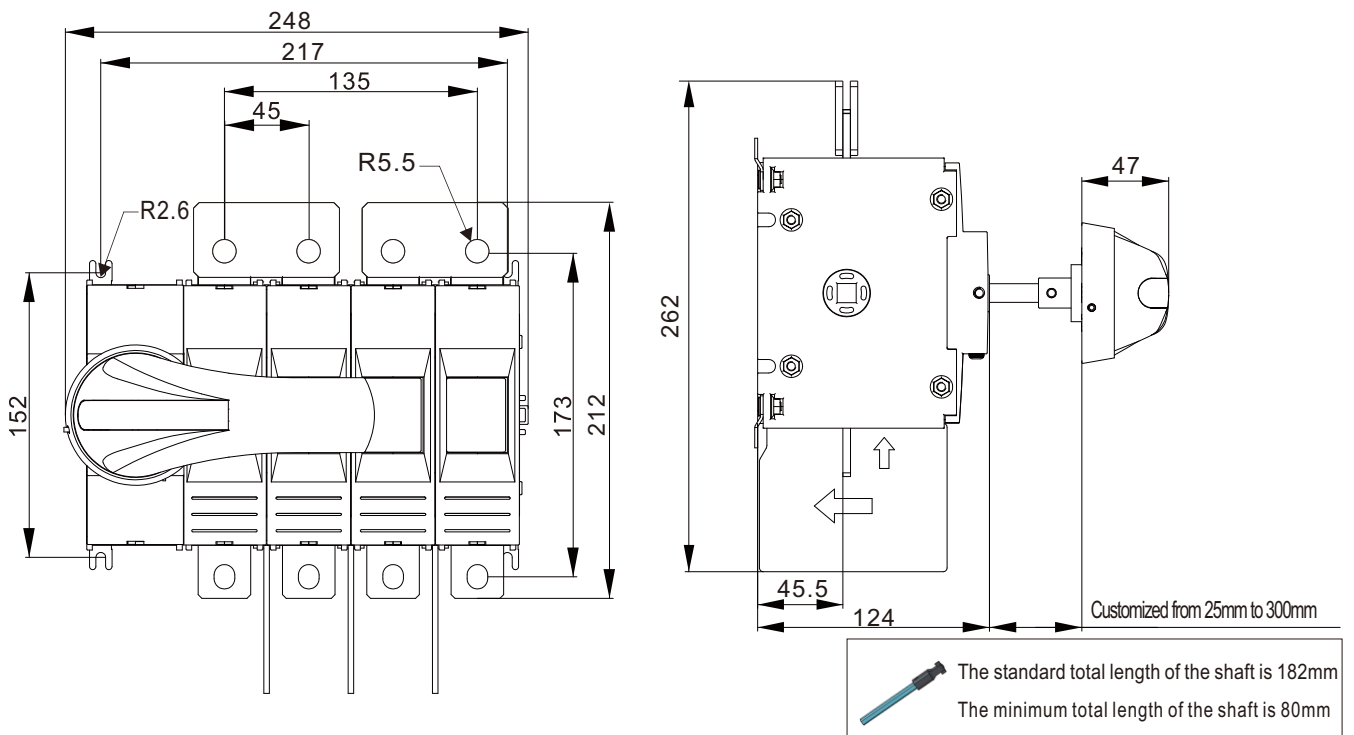
Model	Front Operation			The side operation
	BH-400-4P	BH-400-4P-A	BH-400-4P-B	BH-400-4P-A1
BH-400-4P				

Dimension (mm)

BH-400-4P

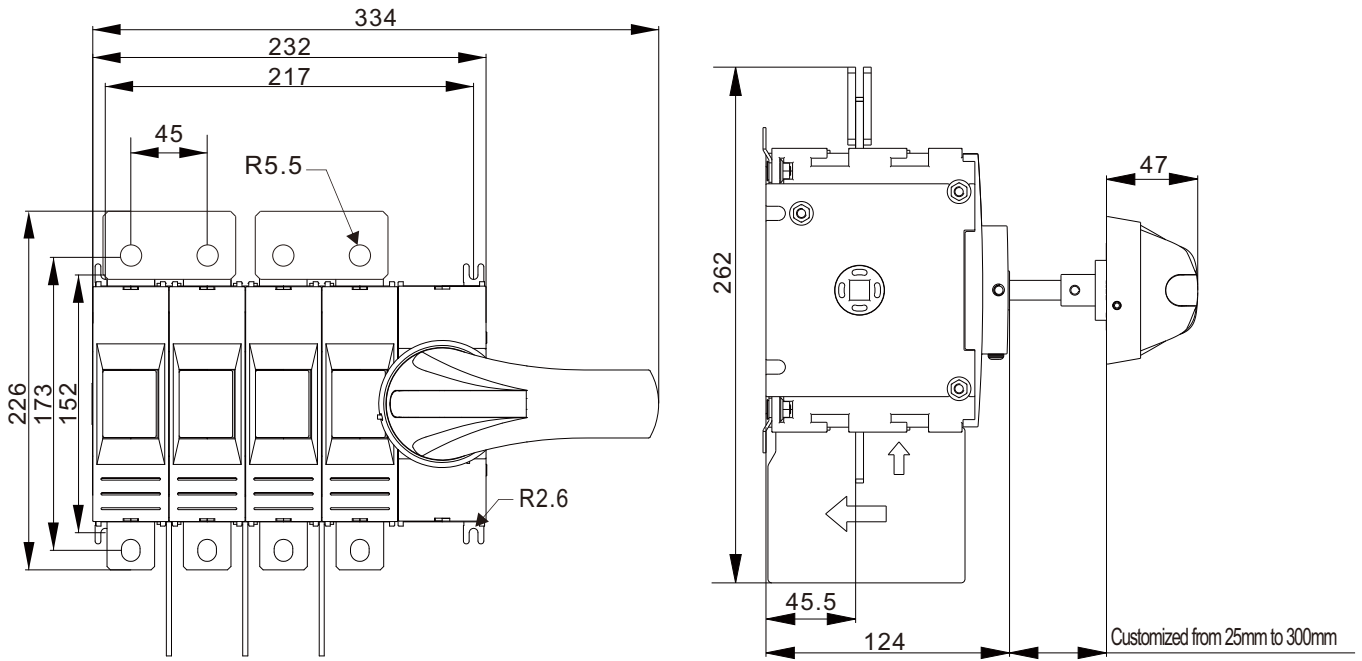



BH-400-4P-A



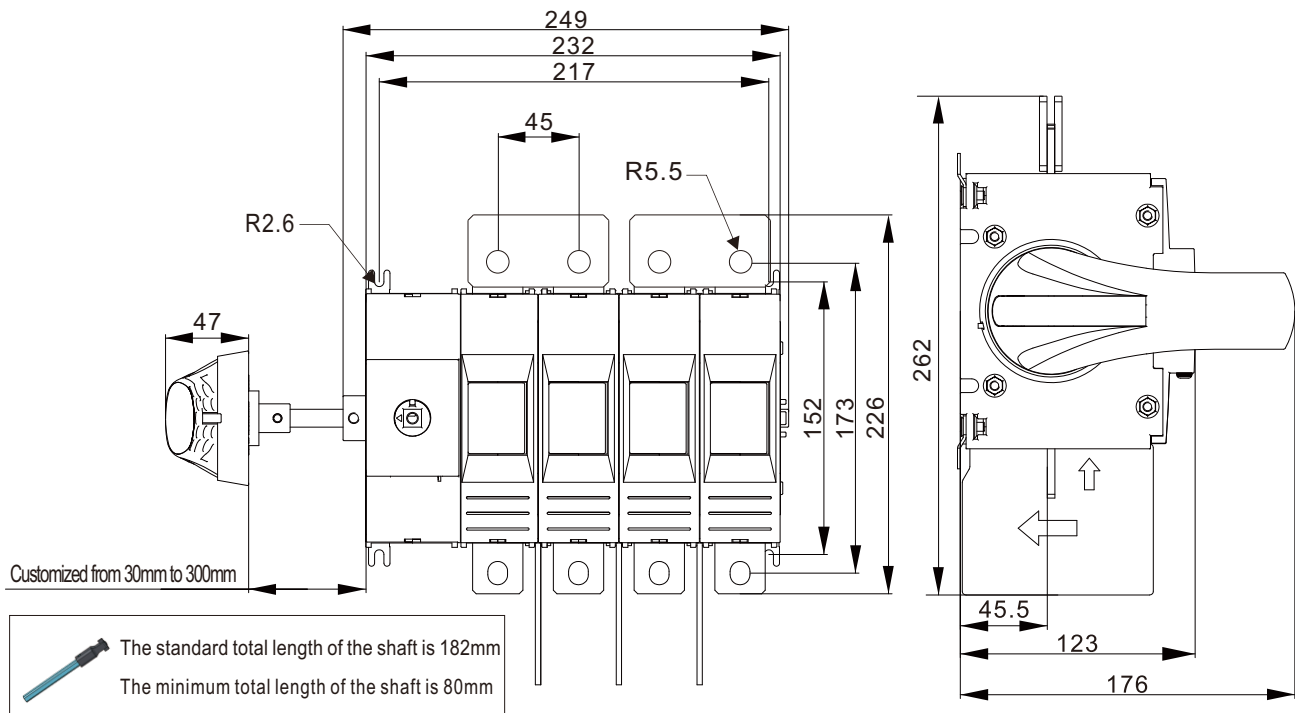
Dimension (mm)


BH-400-4P-B



 The standard total length of the shaft is 182mm
The minimum total length of the shaft is 80mm

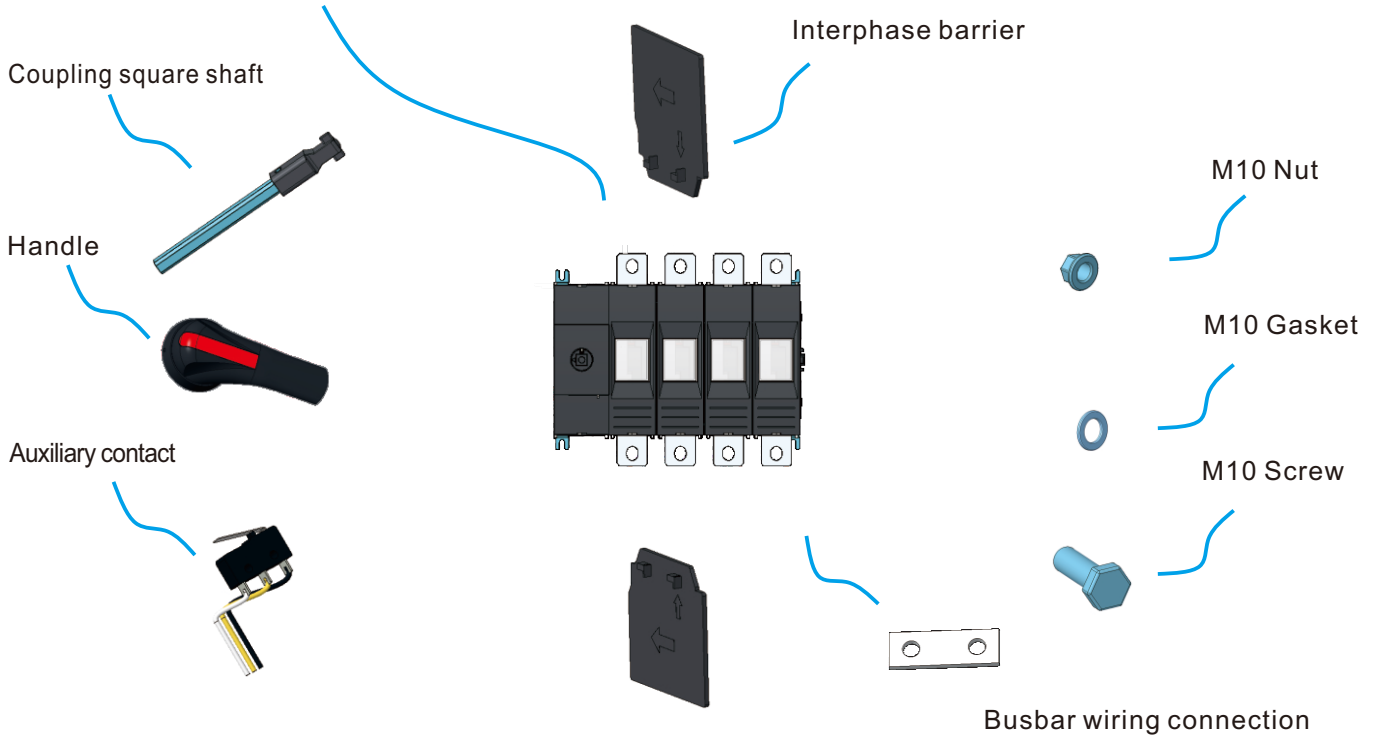
BH-400-4P-A1



 The standard total length of the shaft is 182mm
The minimum total length of the shaft is 80mm

Switches and accessories


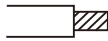
Front and side operable products



Accessory

Name	The attachment list
standard configuration	<ul style="list-style-type: none"> <input checked="" type="checkbox"/> Handle <input checked="" type="checkbox"/> Coupling square shaft (The standard length is 182mm) <input checked="" type="checkbox"/> Interphase barrier <input checked="" type="checkbox"/> M10 Binding kits <input checked="" type="checkbox"/> Specification <input checked="" type="checkbox"/> Busbar wiring connection
apolegamy	<ul style="list-style-type: none"> <input type="checkbox"/> Auxiliary contact <input type="checkbox"/> Coupling square shaft Custom length _____ mm

Terminals/connection

Type			BH-400
Number of poles			4-pole
Terminal designation, main circuit			1;3;5;7;2;4;6;8
Type of terminal, main circuit			Screw terminal
Rated cross section area, main circuit			120-240mm ²
Type of onductor			120-240mm ² (Ringd:Solid or Stranded)
			120-240mm ² (Flexible)
Number of conductors per terminal			1
Required preparation of the conductor			Yes
Stripping length (mm), main circuit			25mm
Tightening torque (M10), main circuit			Min: 15N·m
			Max: 20N·m

WARNING Verify that all connections (including bridging link connections) are suitable for the rated current, prepared to ensure only conductive parts are clamped and tightened to the manufacturers required torque before energization.

Derating data

Derating Temperature

Type	Tem Current	Derating Temperature					
		-40°C ~ +55°C	+60°C	+65°C	+70°C	+75°C	+80°C
BH-400		400A	392A	380A	368A	360A	352A

Derating Altitude

Altitude	2000m	3000m	4000m	5000m
Power frequency withstand voltage	3820VDC	3820VDC	3820VDC	3820VDC
Isolation voltage	1500VDC	1500VDC	1500VDC	1500VDC
Working current	400A	400A	380A	368A
Working voltage	N/A			

Installation and use

The connecting conductor shall be copper conductor or equivalent copper row.
The sectional area shall be selected according to the table

Rated current (A)	320A	400A
The area of a wire or copper conductor mm ²	185mm ²	240mm ²

ZHEJIANG BENYI ELECTRICAL CO., LTD

Address: Wenzhou Bridge Industrial Zone,
Beibaixiang Town, Zhejiang China

TEL: +86-577-5717 7222

FAX: +86-577-5717 7007

Email: benyi@zjbeny.com

Http: // www.beny.com

 This catalogue has been printed on ecological paper.

 Zhejiang Benyi Electrical Co., Ltd. all rights reserved.

 If the models and specifications in this product catalogue is changed due to the change of products, we will not inform.



Scan it to **ZBENY** website!