

# BRL-30

## Solar DC Fuse Holder

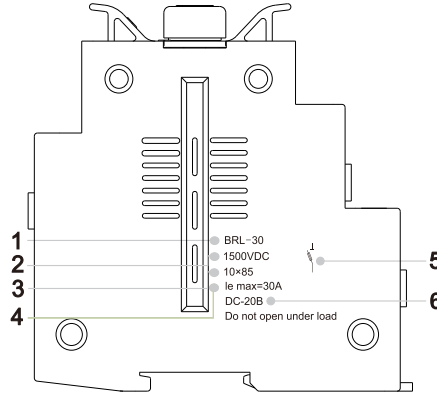


### Application

**ZIBENY** BRL-30 is a 1500V DC fuse holder with 2 poles input combine to 1 pole output, holding 2 pieces of 10\*85mm 1500V fuse link up to 30A. The fuse holder can be application in 1500V solar combiner box, solar inverter and solar equipments. Protect the DC circuit from over-current damaging.

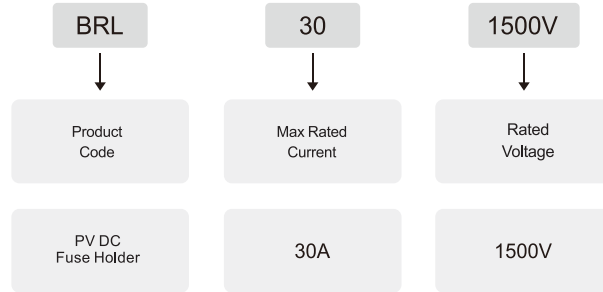
### Appearance Introduction

- 1 Brand
- 2 Type
- 3 Rated Current
- 4 Rated Voltage
- 5 Fuse Size
- 6 Electrical Diagram



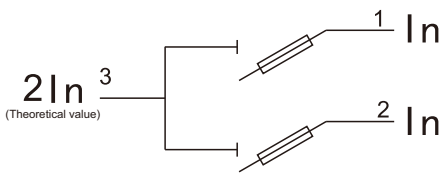
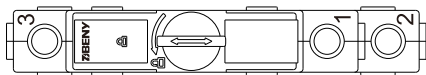
### Type Instruction

- 1500V PV system application
- The max breaking capacity of fuse link up to 20kA
- The innovate finger safe touch replacing fuse link
- Double fuse links in one holder, easier and faster to replace
- Be Suit for 10\*85mm Fuse Size
- Rated Voltage:1500V;Rated Current:30A;
- Comply with:IEC 60947-3 GB/T 14048.3;
- Certificates:CE,TUV,CCC;



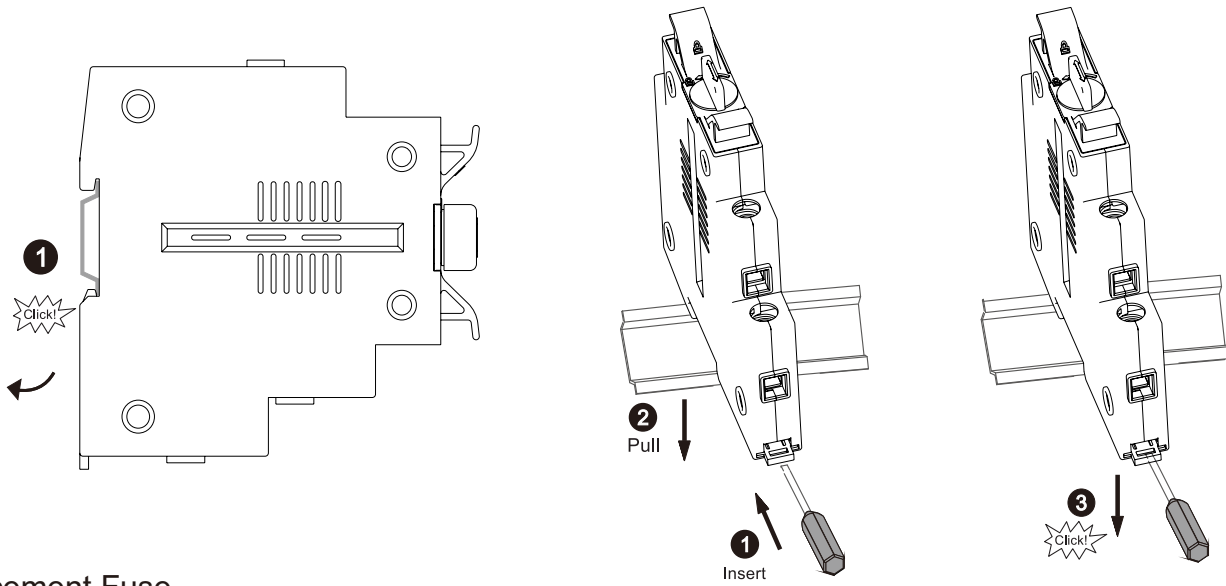
### Parameter

PV DC BRL-30 Fuse Holder	
Pole	1P
According to	IEC 60947-3/GB/T 14048.3
Electrical Characteristics	
Rated Working Voltage	Ue 1500V DC
Rated Current	In 30 A
Breaking Capacity	20KA
Max Power Dissipation	3W
Connection and Installation	
Wire	2.5mm <sup>2</sup> -25mm <sup>2</sup>
Terminal Screws	M5
Torque	2.5N.m
Degree of Protection	IP20
Installation Environment	
Fuse Size	10x85 mm
Operating Temperature Range	-30°C~+70°C
For Mounting On	TH35-7.5/DIN35
Pollution Degree	3
Relative Humidity	+20°C≤95%,+40°C≤50%
Weight	With fuse link 221g, without fuse link 189g
The rotate knob position	
ON	
OFF	

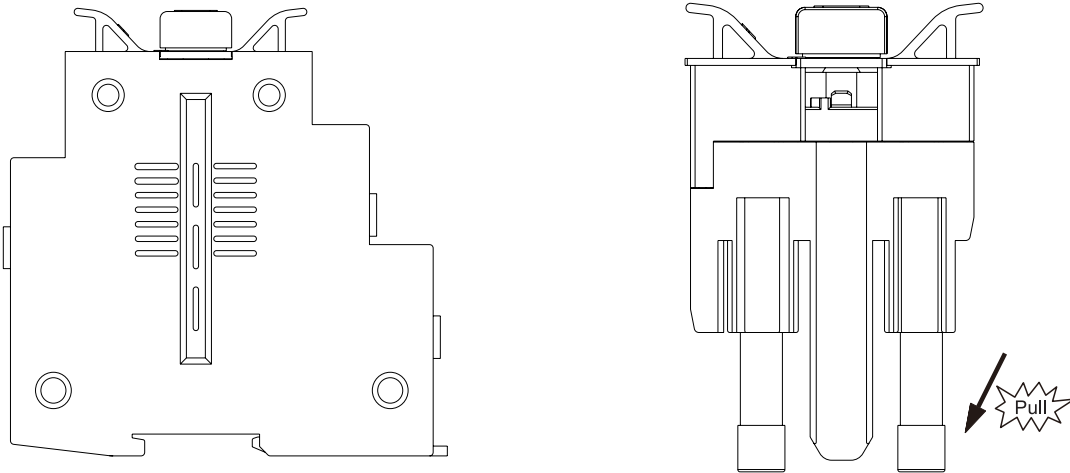


# BRL-30 Solar DC Fuse Holder

## Installation



## Replacement Fuse



## Dimensions(mm)

