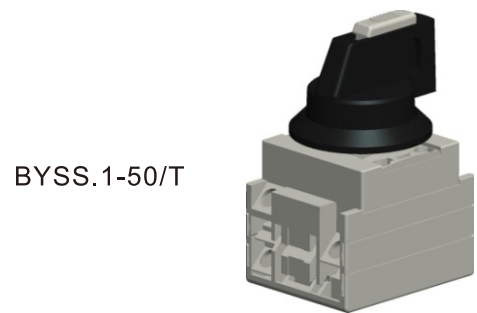


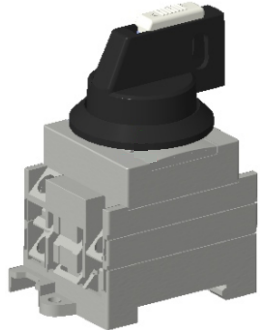


UL508i Certificate Number: E482690

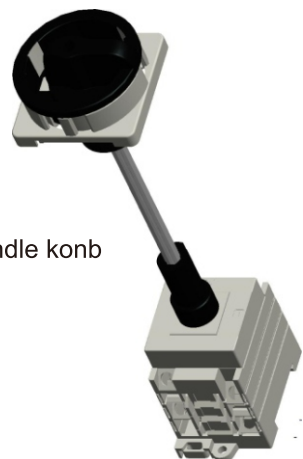
- 1 Brand
- 2 Type
- 3 OFF
- 4 ON
- 5 Electrical symbol



BYSS.1-50/T



BYSS.2-50



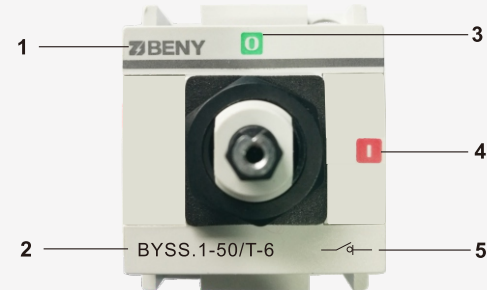
BYSS.2-50  
with S type handle knob

### Application

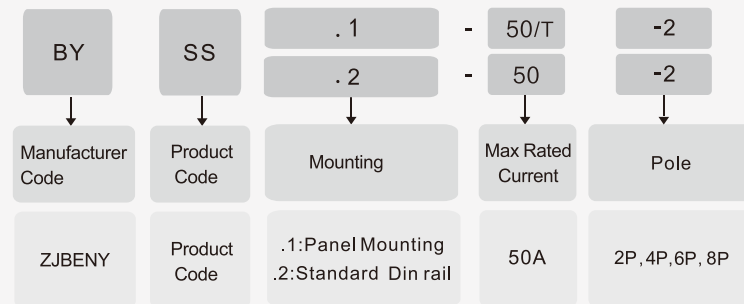
BYSS series DC disconnect switch in UL version is the best DC switch solution for solar inverter integrated.

- The first DC switch UL508i certificate in China.
- 2P switch at max DC 1000V/30A or 750V/50A per conductor.
- With special arcing extinguish instruction and patent, for reliable and fastcutting off the DC arcing.
- The series are suitable for multiple independent MPPTs.
- Lockable handle for safer application and system maintain.

### Appearance Introduction



### Type Instruction



### Parameter

Electrical Characteristics		
Rated Working Voltage	Ue	Details in diagram
Rated Current	Ie	Details in diagram
Rated impulse withstand voltage	Uimp	8kV
Rated short-time withstand current (1s)	Icw	1.5kA
Rated short-circuit making capacity	Icm	2.0kA
Standard Short Circuit Rating		5kA
High-Fault Short Circuit Rating		8kA
Installation Environment		
Number of cycles of operation(With current)		6000
Number of cycles of operation(Without current)		10000
Pole		2/4/6/8
Mounting	Panel Mounting	Standard Din rail
Tightening torque terminal screws M4 , min. - max.M4		1.2N • m- 1.8N • m
Tightening torque panel mountig nut, min. - max.		2.4N • m- 2.6N • m
Tightening torque M3 screw in the standard black knob,min.-max.		0.5N • m- 0. 7N • m
Tightening torque M3 screw in the Extension rod type knob,min.-max.		1.5N • m- 1. 8N • m
Ambient temperature allowed between		-40°C ~ +85°C
Storage temperature allowed between		-40°C ~ +85°C
Relative Humidity		90%
Pollution degree		2
IP Class Protection		≥IP66 (Type 4X)

### Parameter

TYPE	Rated Current(UL508i)				Poles in series	Number of Strings
	350V / 500V / 600V	750V	1000V			
 BYSS.1-50/T-2	 BYSS.2-50-2 Type S knob available	16A	50A	16A	2	1
		18A				
		20A				
		25A				
		32A				
		38A				
		40A				
 BYSS.1-50/T-4	 BYSS.2-50-4 Type S knob available	16A	50A	16A	2	2
		18A				
		20A				
		25A				
		32A				
		38A				
		40A				
 BYSS.1-50/T-6	 BYSS.2-50-6 Type S knob available	16A	50A	16A	2	3
		18A				
		20A				
		25A				
		32A				
		38A				
		40A				
 BYSS.1-50/T-8	 BYSS.2-50-8 Type S knob available	16A	50A	16A	2	4
		18A				
		20A				
		25A				
		32A				
		38A				
		40A				
45A						
50A						

### Switching Configurations

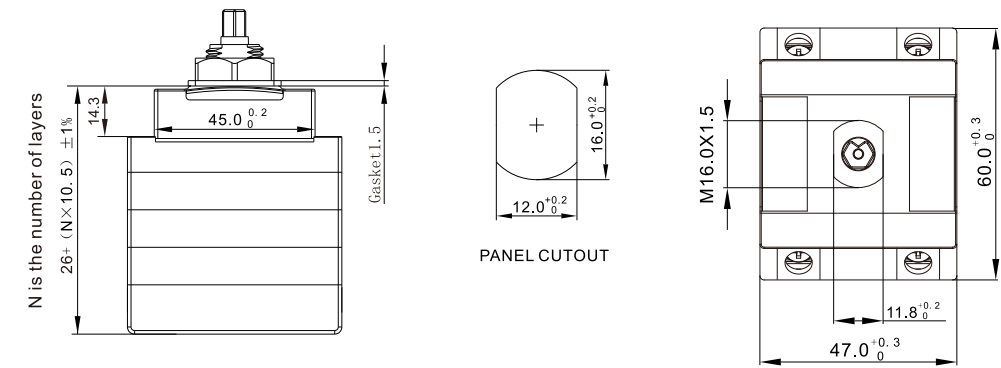
TYPE	2P	4P	6P	8P
Contacts Wiring diagram				
Switching example				

Operation knob type

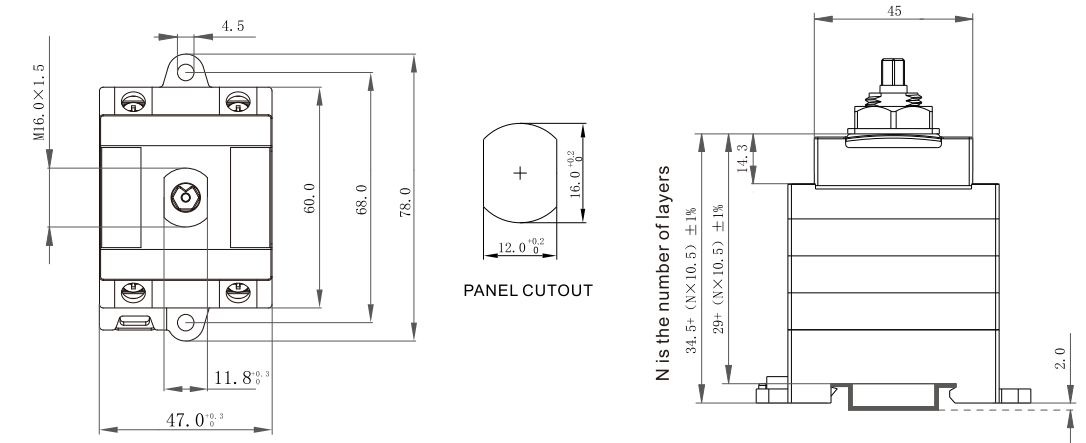
PICTURE	Suitable Type	Structure details										
	<p>BYSS.1-50/T BYSS.2-50</p>											
 <p>S type handle knob</p>	<p>Only for BYSS.2-50</p>	 <table border="1" data-bbox="1038 1302 1335 1596"> <thead> <tr> <th>Type</th> <th>H(min. -max.)</th> </tr> </thead> <tbody> <tr> <td>2P</td> <td>130mm-280mm</td> </tr> <tr> <td>4P</td> <td>150mm-300mm</td> </tr> <tr> <td>6P</td> <td>170mm-320mm</td> </tr> <tr> <td>8P</td> <td>190mm-340mm</td> </tr> </tbody> </table>	Type	H(min. -max.)	2P	130mm-280mm	4P	150mm-300mm	6P	170mm-320mm	8P	190mm-340mm
Type	H(min. -max.)											
2P	130mm-280mm											
4P	150mm-300mm											
6P	170mm-320mm											
8P	190mm-340mm											

Dimensions(mm)

BYSS.1-50/T Series mm

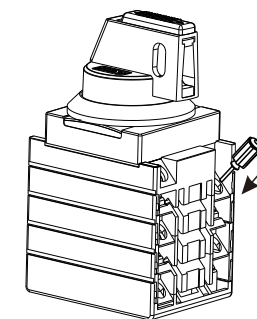


BYSS.2-50 Series mm

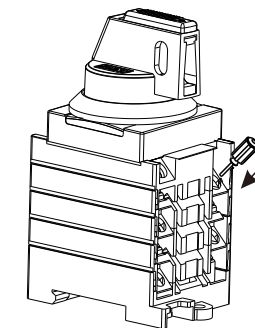


Wiring direction

BYSS.1-50/T



BYSS.2-50



Wiring Ratings

Wires per pole	Conductor material	Wire size(AWG, mm <sup>2</sup> )	Torque
1	Copper (Cu)	12 AWG-6 AWG / 2.5mm <sup>2</sup> ~10.0mm <sup>2</sup>	1.8N·m