

BFS Series

Solar Panel Rapid Shutdown Safety Solution



BFS Series

Application

ZBENY The BFS-22 is designed and developed as the most reliable module level rapid shutdown device for solar building fire safety and meeting the NEC requirements. Operates TWO standard PV module ($\geq 40V$) or FOUR modules ($< 40V$).

The BFS-22 complies with NEC 2017&2020 690.12 rapid shutdown requirements when work with the SunSpec signal transmitter BFT-01 on an inverter with built-in transmitter, in non-interference with the inverter AFCI.

BFS-22 Specifications

Electrical

Range of Operating Voltage:	18-90V per input(total 2 inputs)
Max operating current (A dc):	18A
Max. input power(W):	1620W per input (total 2 inputs)
Max. array short circuit current (A dc):	18A
Output DC Voltage(V dc):	36-180V
Rated Max. output current (A dc):	18A
Communication:	PLC(DC Power Line),SunSpec certificate Microsecond response RSD

Mechanical

UL 50 E Enclosure Type Rating:	4X
Connectors:	MC4(standard),Jinko connectors for option
Input Cable Length:	PV1:160mm;PV2:180mm
Output Cable Length:	1800mm
Weight:	715g

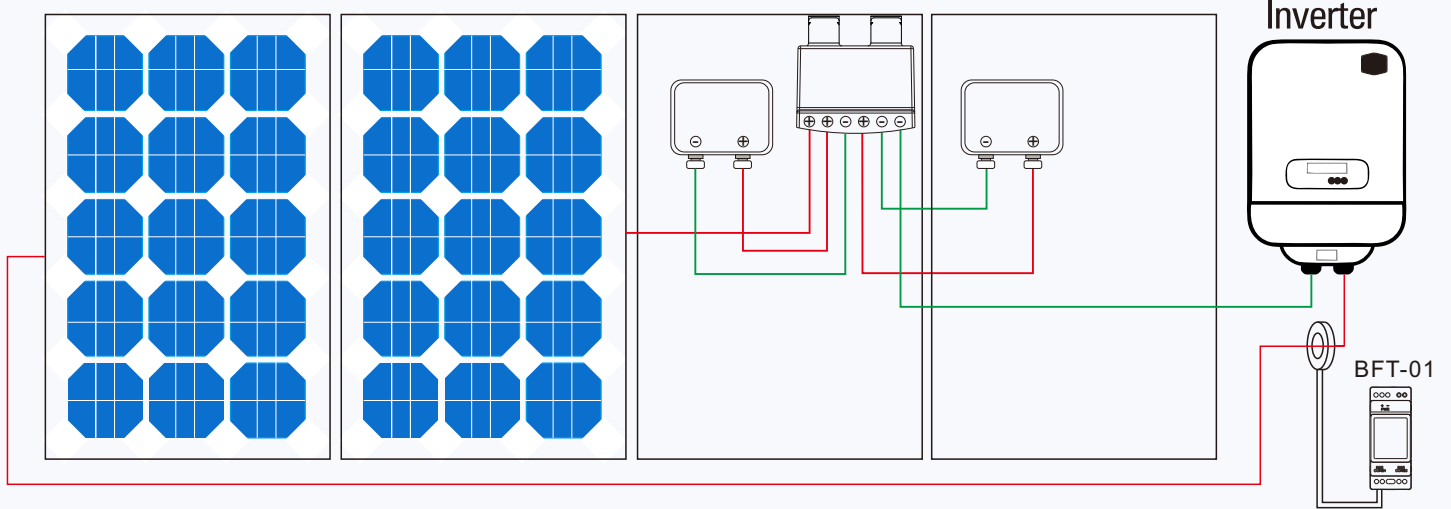
Environmental

Operating Temperature:	-30°C to- +80°C
Ambient Operating Temperature:	-30°C to- +55°C
Over Temperature Protection:	85°C
Certificate and Standards:	UL 1741 PVRSS and PVRSE listed , NEC 2014/2017/2020 690.12
Warranty:	BFS-22:25Years

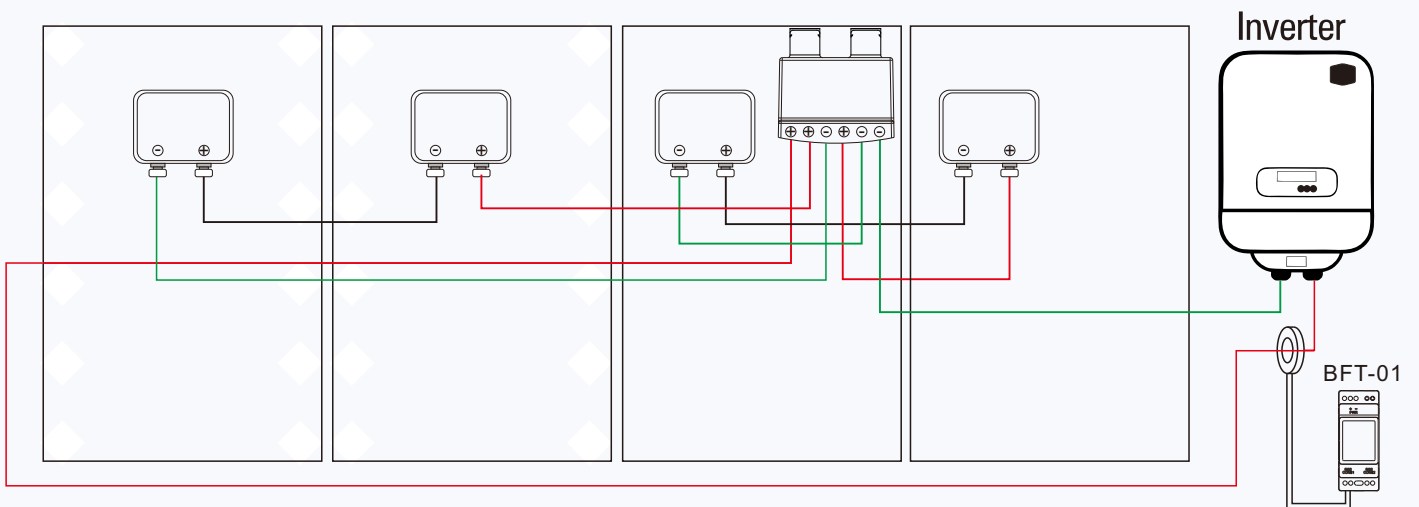
*Rapid Shutdown initiate of BFS-22 requires RSD transmitter as a complete solution.

How to install the RSD:

Panel Voltage $\geq 40V$



Panel Voltage $< 40V$



Dimension

