

BR-30

PV DC Fuse Holder



- 1 Brand
- 2 Type
- 3 Rated Current
- 4 Rated Voltage
- 5 Fuse Size
- 6 Electrical Diagram
- 7 Status Indicator

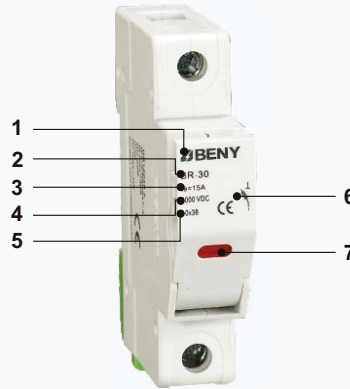
- Photovoltaic Applications
- Max Breaking Capacity up to 20KA, Effective Protection
- The Innovation Replacing Fuse Link Touch-safe
- Led Indicator, Reminding Fuse Link Replacement
- Be Suit for 10x38mm Fuse Size
- Comply with :IEC6094-3



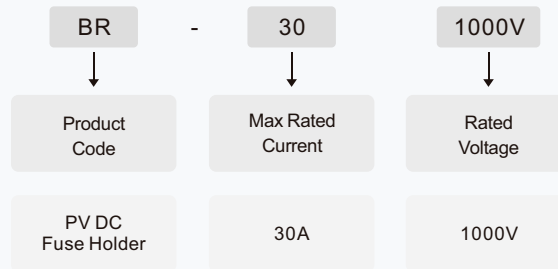
Application

ZBENY PV DC BR-30 Fuse Holder was designed and manufactured , complying with the standard IEC60947-3. The Rated Current up to 30A, rated voltage up to 1000V DC. It applied for PV DC combiner box, inverter etc, with the main function of over-current protection and effective disconnection.

Appearance Introduction



Type Instruction

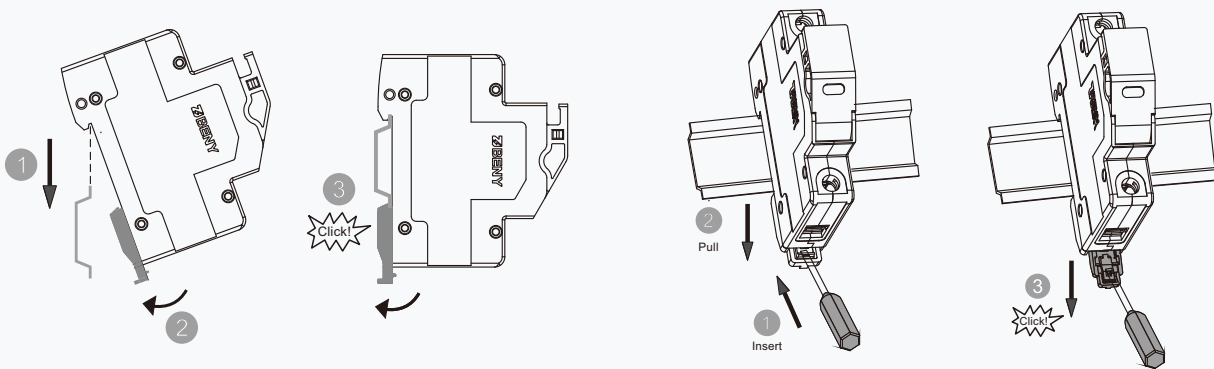


Parameter

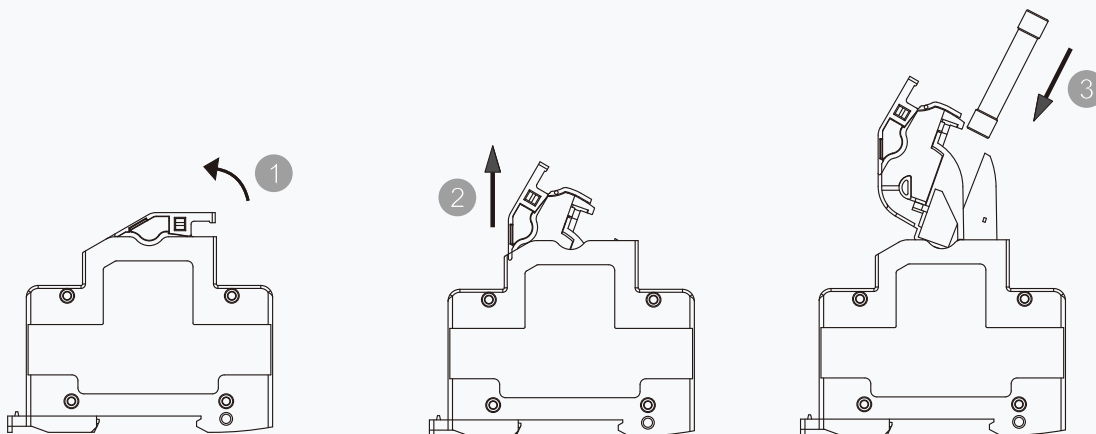
PV DC BR-30 Fuse Holder		
Pole		1P
According to		IEC 60947-3
Electrical Characteristics		
Rated Working Voltage	Ue	1000V DC
Rated Current	In	30 A
Breaking Capacity		20KA
Max Power Dissipation		3W
Control and Indication		
Operating State/Fault Indication		Indicator Light OFF/Indicator Light ON
Connection and Installation		
Wire		2.5mm ² ~25mm ²
Terminal Screws		M5
Torque	Nm	2.5
Degree of Protection		IP20
Installation Environment		
Fuse Size		10x38 mm
Operating Temperature Range	TU	-40°C ~ +85°C
For Mounting On		TH35-7.5/DIN35
Pollution Degree		3
Relative Humidity		+20°C≤95%, +40°C≤50%
Weight		0.07kg Per pole
Installation Class		III

BR-30 PV DC Fuse Holder

Installation



Replacement Fuse



Dimensions(mm)

